

The supplier acknowledges that, with the acceptance of the drawing, he is in a position to manufacture the illustrated part in accordance with the drawing in reproducible form and series production. Through the selected manufacturing processes or materials, all errors in the material and structure which could subsequently lead to an impairment of the component. These agreements over and above the usual VDA2 Agreement from this date must be signed by the purchaser.

Technische Daten/
technical data : Akkupack/
battery pack

Chemie/
chemistry : Li-Ion

Zellenzahl/
no. of cells : 2 Zellen/ cells 18650 1S2P Samsung SDI 26H

Kapazität/
capacity : nom. 5200mAh discharge at 0.2C
min. 5100mAh discharge at 0.2C

Innenwiderstand/
impedance : < 70mOhm (battery and safetyboard)

Nominalspannung/
nominal voltage : 3.7V

Standard Ladespannung/
standard charge voltage : 4.2V±1%

Standard Entladespannung/
standard discharge voltage : 2.75V

Nominaler Ladestrom/
nominal charge current : 0.5C

Maximaler Ladestrom/
maximum charge current : 3000mA (limited by safetyboard)

Ladeendstrom/
charge end current : 0.01C recommended

Maximaler Entladestrom/
maximum discharge current : 3000mA (limited by safetyboard)

Anwendungstemperaturbereich/
ambient temperature range : 0°C...+45°C charge
-20°C...+60°C discharge
-20°C...+30°C storage max. 1 year
-20°C...+45°C storage max. 3months

Selbstentladung/
self discharge : ≤ 5% / month at20°C
≤ 10% / month at30°C
≤ 20% / month at40°C

Standards/
 : UN 3480, Subsection 38.3
All cells and battery packs type tested according to UN manual of test and criteria subsection 38.3

Technische Daten/
technical data : Sicherheitsschaltung/
safety board

Überladeschutzspannung/
over charge voltage detection : 4.25V±25mV per cell

Wiedereinschaltspannung/
over charge release voltage : 4.05V±50mV per cell

Entladeabschaltspannung/
over discharge detection voltage : 2.5V±62mV per cell

Wiedereinschaltspannung/
over discharge release voltage : 2.85V±250mV per cell

Nominaler Lade/Entladestrom/
nominal operating current : 3A

Entlade Abschaltstrom/
discharge cut off current : 8.5A± 2A

Kurzschlusschutz/
short circuit protection : gegen äußeren Kurzschluss/
against external short circuit

Temperaturerhalter/
temperature switch : ---

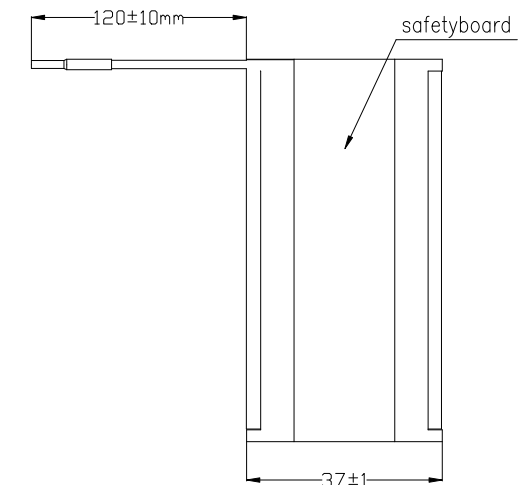
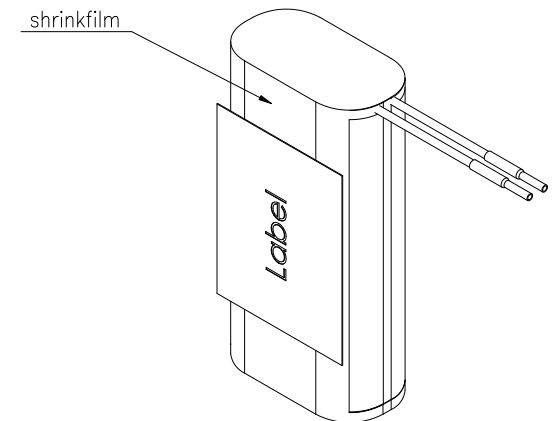
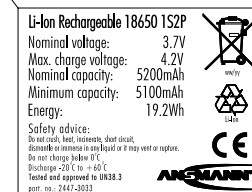
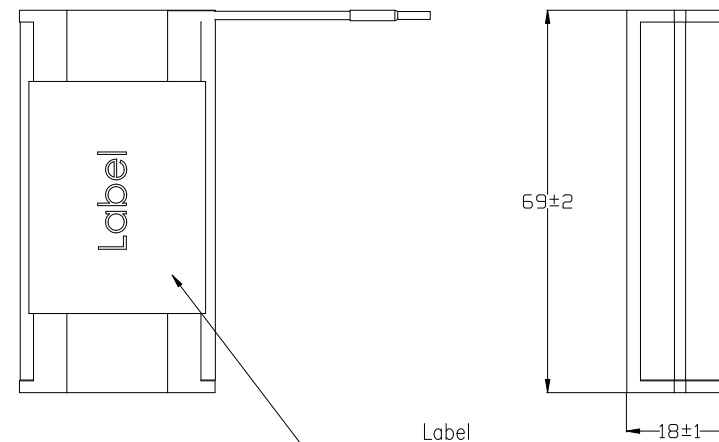
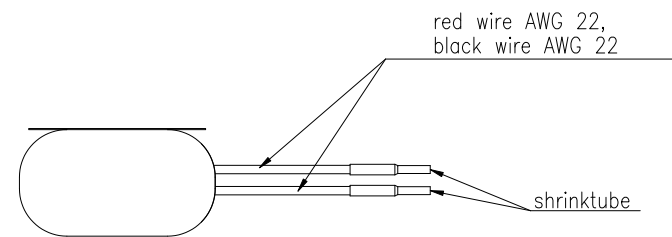
MOSFET : in Masse
in Gnd

Rückstellkriterium/
release condition : Last trennen, Aktiv nach Anladen/
cut load, release after charging up

Nettogewicht/
net weight : ca./ approx. 100g

Leiterplattenmaterial/
pcb material : FR4

Standards : CE



batterypack covered with 2 layers of shrinktube

Verwendungsbereich/Application range für Anfrage/for inquiry AN-IS-2013-00132		Zul. Abweichung/ Allowable deviation	Oberfläche/ Surface	Maßstab/Scale (DIN A2): 1:1	Gewicht/Weight
		Allgemeintoleranz DIN ISO 2768-m		Werkstoff/Work material, Modell-Nr.	
		2013	Datum/Date	Name	Zeichnungsname/Drawing name
		Erstellt/ Drawn by	17.05.	JE	Li-Ion Battery 3.7V 5200mAh with safetyboard
					Zeichnungsnummer/Drawing number Artikelnummer/Part number
					2447-3033
VO	---	XX.XX.XX	JE		Blatt/ Sheet 1
Version	Änderung/Change	Datum/Date	Name	Ursprung/Origin Proj. OEM-00	Ersatz für/Replaced by Ersatz durch/Replacement through: