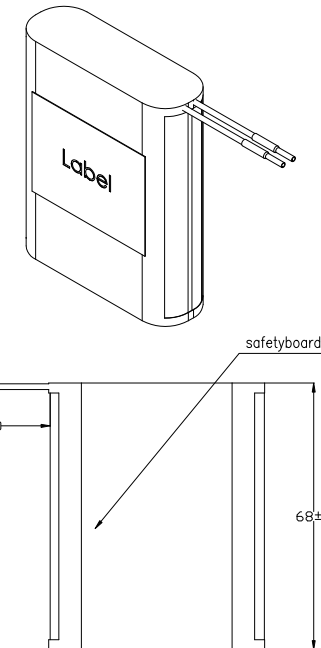
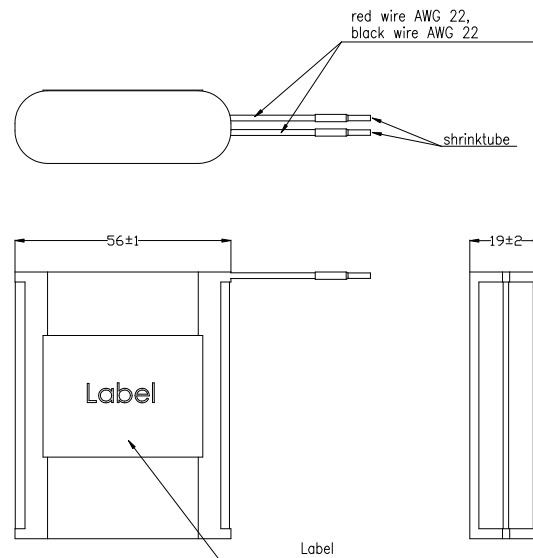


The drawing may not be copied, reproduced or made available to third parties for any use whatsoever without the prior written approval of the manufacturer.

- Technische Daten/
technical data : Akkupack/
batterypack
- Chemie/
chemistry : Li-Ion
- Zellenzahl/
no. of cells : 3 Zellen/ cells 18650 1S3P Samsung SDI 26H
- Kapazität/
capacity : nom. 7800mAh discharge at 0.2C
min. 7650mAh discharge at 0.2C
- Innenwiderstand/
impedance : ta:20°C; EV(Discharge End Voltage): 2.75V per cell
< 55mOhm (battery and safetyboard)
- Nominalspannung/
nominal voltage : 3.7V
- Standard Ladespannung/
standard charge voltage : 4.2V±1%
- Standard Entladespannung/
standard discharge voltage : 2.75V
- Nominaler Ladestrom/
nominal charge current : 3000mA (limited by safetyboard)
- Maximaler Ladestrom/
maximum charge current : 3000mA (limited by safetyboard)
- Ladeendstrom/
charge end current : 0.01C recommended
- Maximaler Entladestrom/
maximum discharge current : 3000mA (limited by safetyboard)
- Anwendungstemperaturbereich/
ambient temperature range : 0°C...+45°C charge
-20°C...+60°C discharge
-20°C...+30°C storage max. 1 year
-20°C...+45°C storage max. 3months
- Selbstentladung/
self discharge : ≤ 5% / month at20°C
≤ 10% / month at30°C
≤ 20% / month at40°C
- Standards/ : UN 3480, Subsection 38.3
All cells and batterypacks type tested according to UN manual of test and criteria subsection 38.3

- Technische Daten/
technical data : Sicherheitsschaltung/
safety board
- Überladeschutzspannung/
over charge voltage detection : 4.25V±25mV per cell
- Wiedereinschaltspannung/
over charge release voltage : 4.05V±50mV per cell
- Entladeabschaltspannung/
over discharge detection voltage : 2.5V±62mV per cell
- Wiedereinschaltspannung/
over discharge release voltage : 2.85V±250mV per cell
- Nominaler Lade/Entladestrom/
nominal operating current : 3A
- Entlade Abschaltstrom/
discharge cut off current : 8.5A± 2A
- Kurzschlusschutz/
short circuit protection : gegen äußeren Kurzschluss/
against external short circuit
- Temperaturschalter/
temperature switch : ---
- MOSFET : in Masse
in Gnd
- Rückstellkriterium/
release condition : Last trennen, Aktiv nach Anladen/
cut load, release after charging up
- Nettogewicht/
net weight : 140g
- Leiterplattenmaterial/
pcb material : FR4
- Standards : CE



batterypack covered with 2 layers of shrinktube



Verwendungsbereich/Application range für Anfrage/for inquiry AN-IS-2013-00133	Zul. Abweichung/ Allowable deviation	Oberfläche/ Surface	Maßstab/Scale (DIN A2): 1:1	Gewicht/Weight
	Allgemeintoleranz DIN ISO 2768-m		Werkstoff/Work material, Modell-Nr.	
	2013	Datum/Date Name	Zeichnungsname/Drawing name Li-Ion Battery 3.7V 7800mAh with safetyboard	
	Erstellt/ Drawn by	17.05.	JE	
	VO	---	XX.XX.XX	XX
Version	Änderung/Change	Datum/Date Name	Ursprung/Origin Proj. IS-2013-00133	Ersatz für/Replaced by
			Ersatz durch/Replaced through	
			Zeichnungsnummer/Drawing number Artikelnummer/Part number 2447-3034	Blatt/ Sheet 1